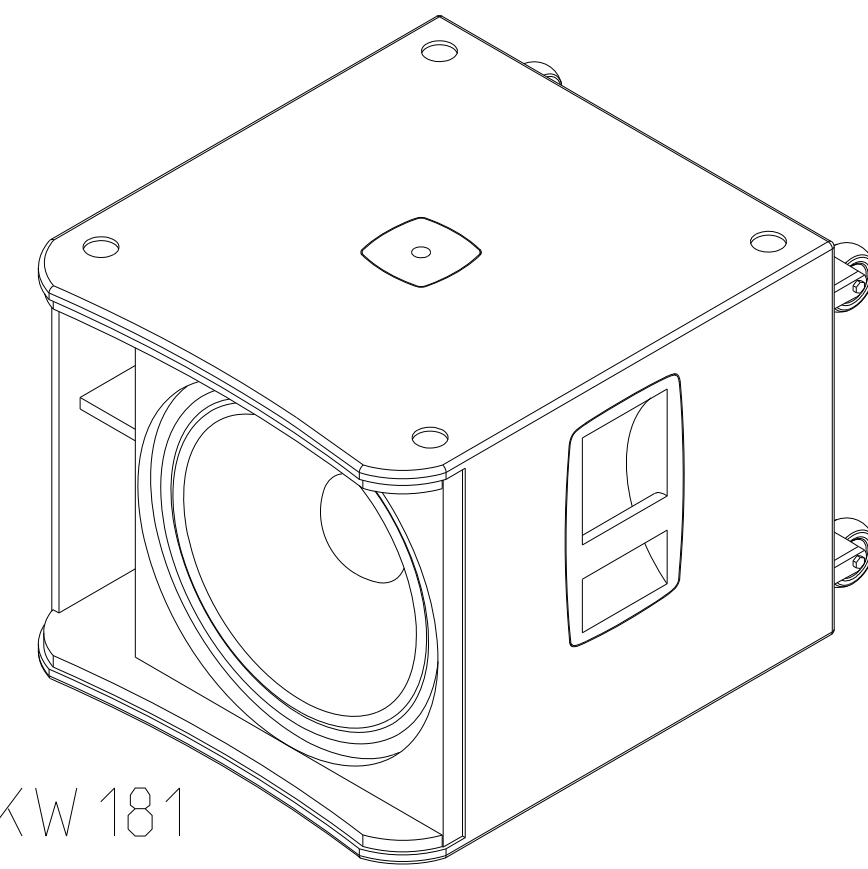
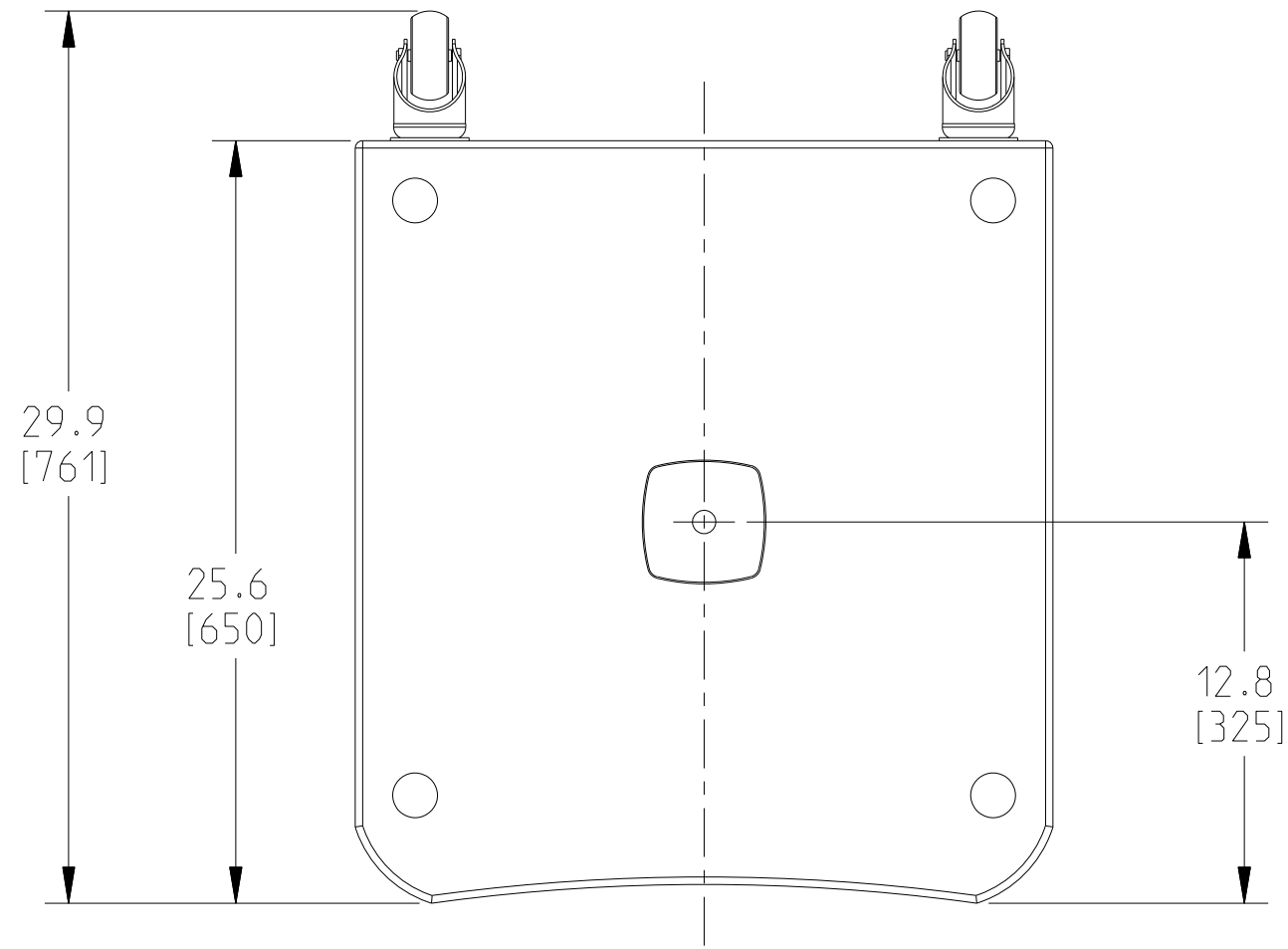


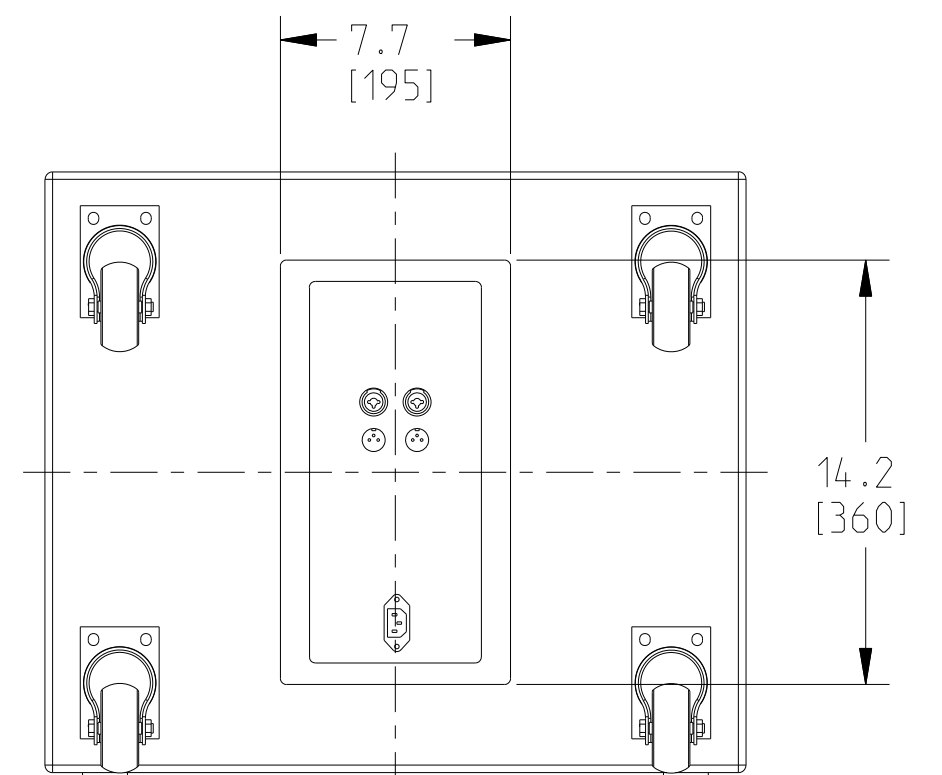
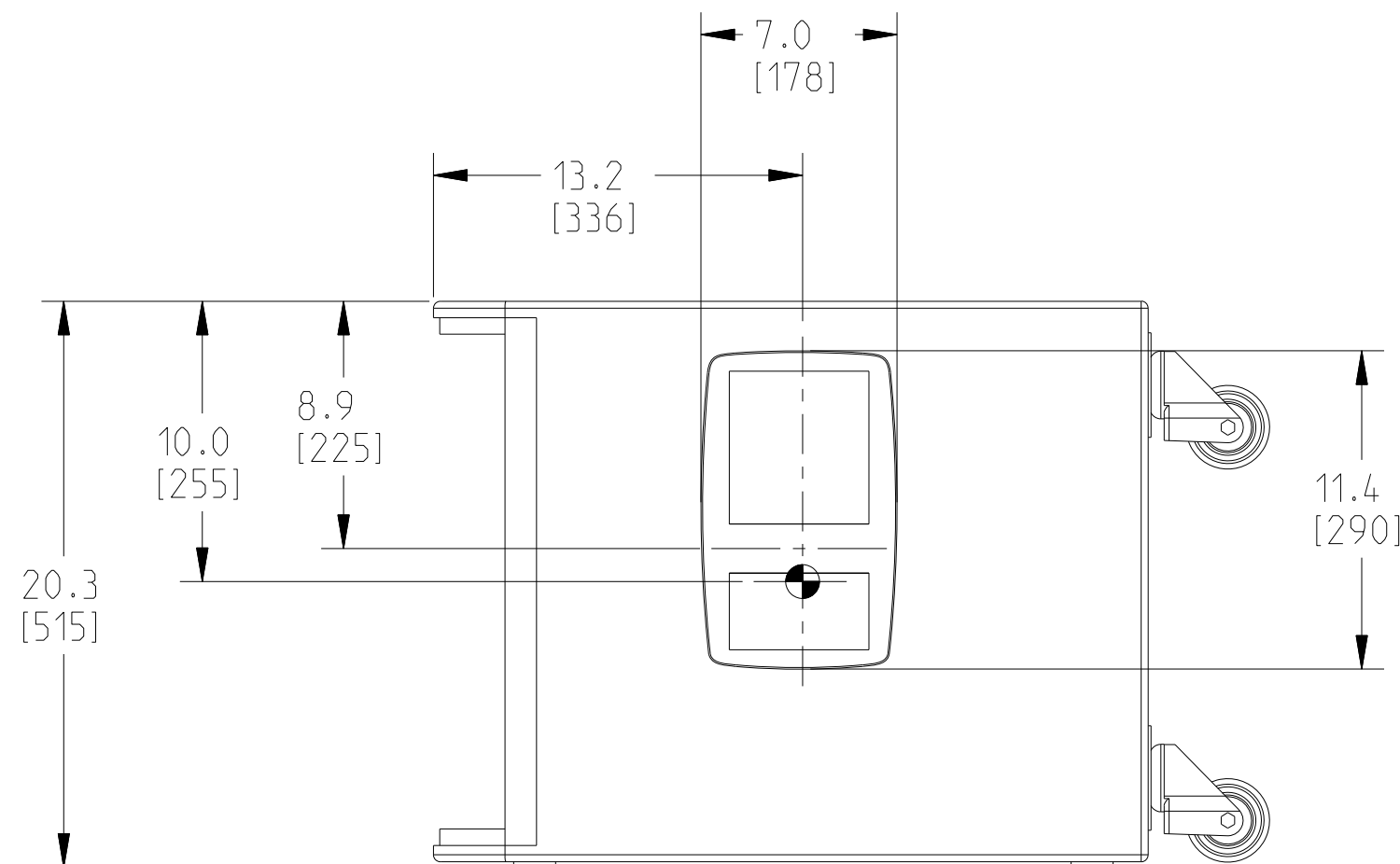
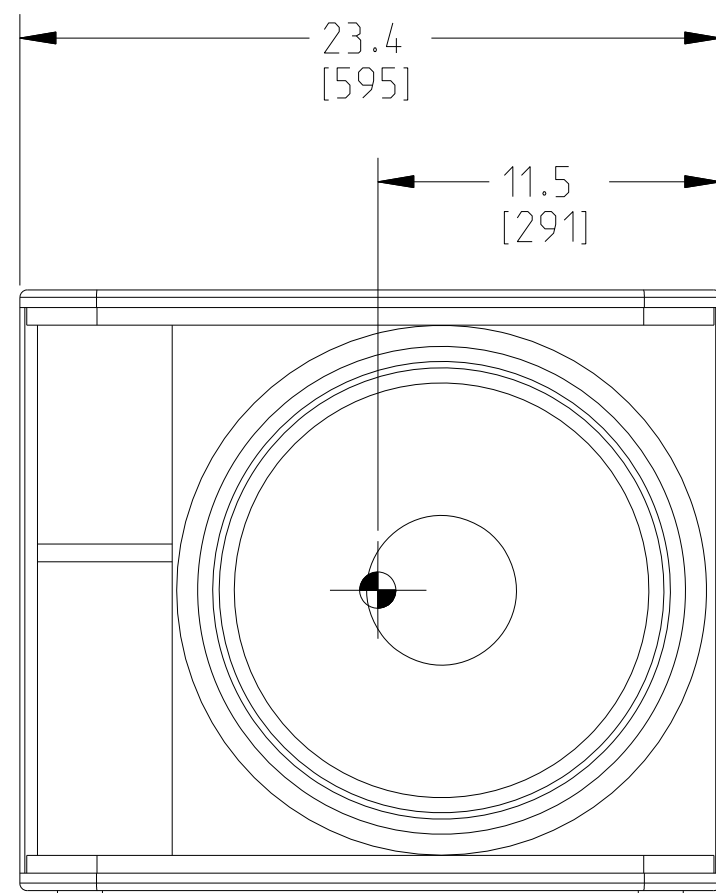
THIS DOCUMENT CONTAINS PROPRIETARY INFORMATION WHICH IS THE PROPERTY OF QSC AUDIO PRODUCTS. THAT MAY NOT BE DISCLOSED, REPRODUCED OR USED WITHOUT EXPRESS WRITTEN CONSENT FROM QSC AUDIO PRODUCTS.

REVISIONS

REV	ECO	DESCRIPTION	BY	EFF DATE	ISSUED
A	-	RELEASE	JD	01-JUL-10	DD



KW 181



- 4. PARTS ARE SYMMETRICAL ABOUT CENTER LINES UNLESS OTHERWISE NOTED.
 - 3. SYMBOL INDICATES CENTER OF BALANCE.
 - 2. TOLERANCES (INCHES): .X ± .13, ANGLES: ± 1°.
 - 1. NET WEIGHT APPROX. 94 LBS (42.7 KG)
- NOTE: UNLESS OTHERWISE SPECIFIED

UNLESS OTHERWISE SPECIFIED DIMENSIONS IN INCHES (MM) TOLERANCES ARE: DECIMALS DECIMALS ANGLES .XX ± .02(.5) .XXX ± .01(.25) ± 1/2 DEBURR EDGES .010 (.25) R MAX	APPROVALS	DATE (DD-MMM-YY)	QSC AUDIO PRODUCTS, LLC 1675 MACARTHUR BOULEVARD COSTA MESA, CA 92626			
	DRAWN J. DELARM	12-APR-10				
	CHECKED J. CHAVEZ	30-JUN-10				
	MPG-ENG J. O'CONNOR	28-JUN-10				
MATERIAL	QA CHECK N/A	-	SPEAKER, FINISHED, KW 181			
FINISH	DRAWING INFO: FG-218100-2D.A.2	SIZE C		CAGE CODE 00PW4	DRAWING NO. FG-218100-2D	REV A
	MODEL INFO: FG-218100-3D.A.1	SCALE: 0.156		DO NOT SCALE DRAWING	SHEET 1 OF 1	