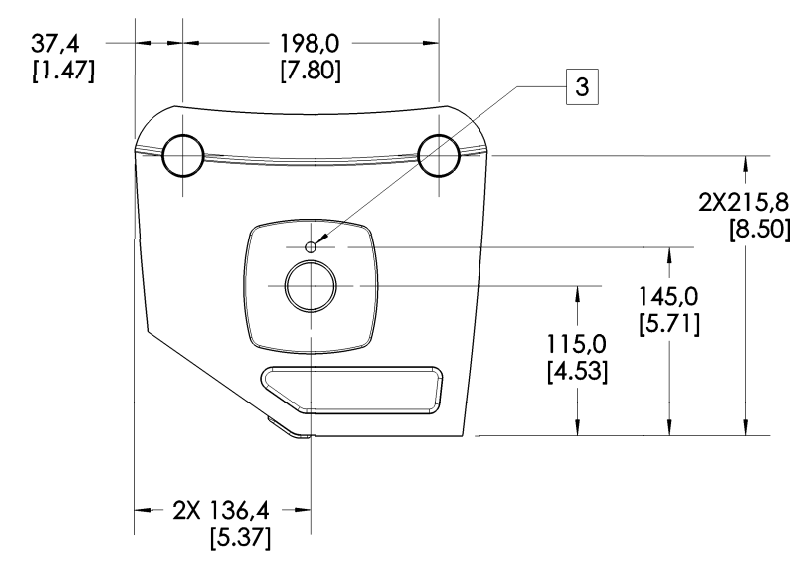
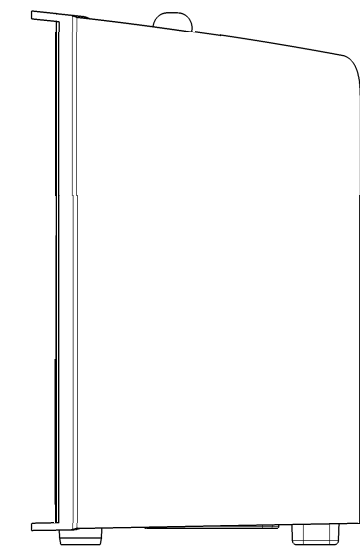
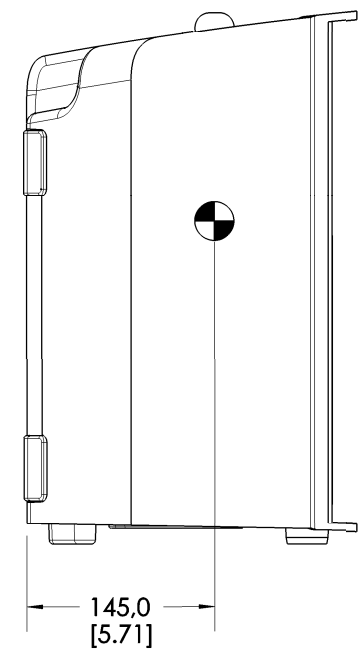
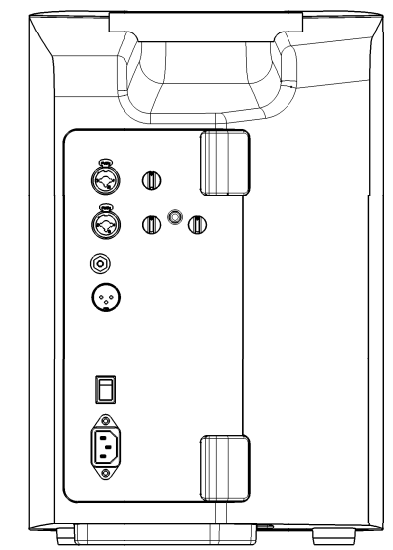
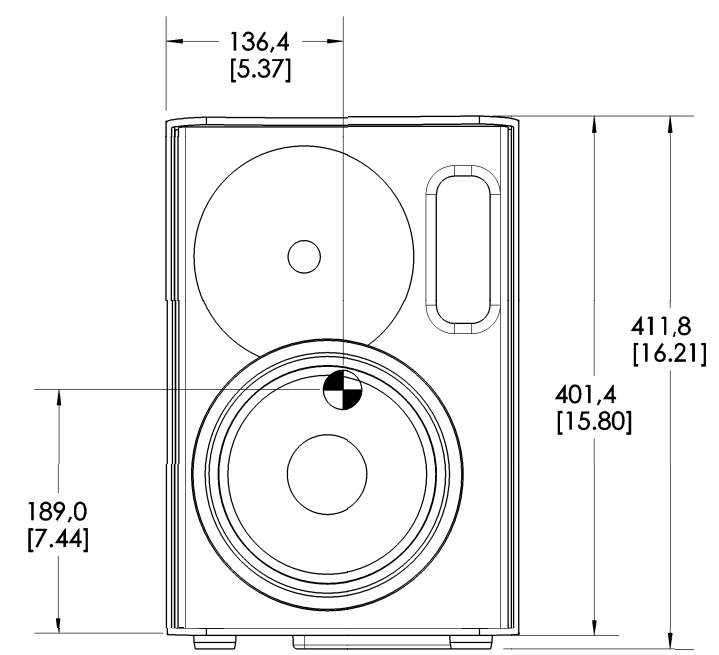
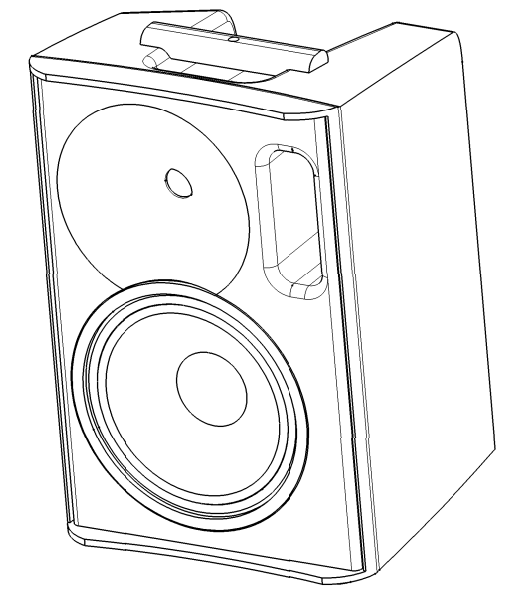
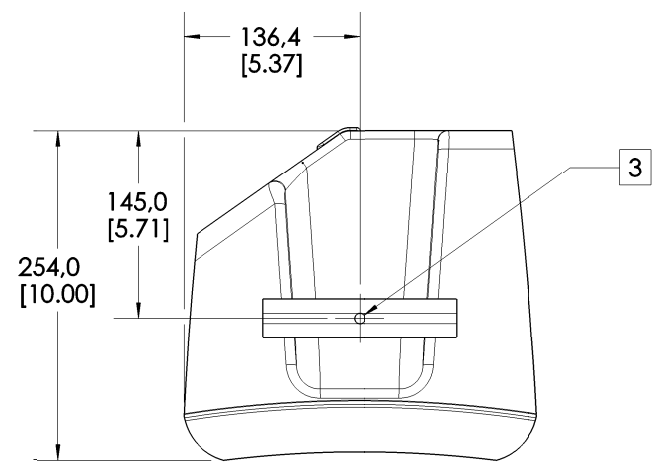


REVISION		BY	DATE
REV	DESCRIPTION		
A	INITIAL RELEASE	SS	26-SEPT-18



UNLESS OTHERWISE SPECIFIED DIMENSIONS ARE IN MM [IN]		CAD GENERATED DRAWING DO NOT MANUALLY UPDATE		QSC QSC, LLC 1675 MACARTHUR BOULEVARD COSTA MESA, CA 92626 USA	
TOLERANCES ARE:		APPROVALS		FINISHED GOOD, LOUDSPEAKER, CP8, 100-240V, BK, 8" 2-WAY	
DECIMALS	ANGLES	DRAWN BY S. STASIAK			
.X ± 3 [1.2]	± 1°	MECH ENGINEER T. AMUNDSON			
DO NOT SCALE DRAWING		TECH DIRECTOR R. VAUCHER			
MATERIAL	N/A	MFG ENGINEER C. YOMOYIDA		SIZE	REV
FINISH	N/A	PROJECTION SYMBOL		B	A
SCALE: 1:6		CAD FILE: FG-901167-2D.A.2		SHEET: 1 OF 1	

- 6. GRILLE NOT SHOWN FOR CLARITY.
- 5. DIMENSIONS ARE IN MILLIMETERS [INCH].
- 4. SYMBOL ● INDICATES CENTER OF BALANCE.
- 3. YOKE MOUNT ATTACHMENT POINT, M8 THREAD, 2 PLACES.
- 2. TOLERANCES (MM): X ± 3, ANGLES: ± 1°.
- 1. NET WEIGHT APPROX. 21.0 LBS [9.5 KG].

NOTES: UNLESS OTHERWISE SPECIFIED