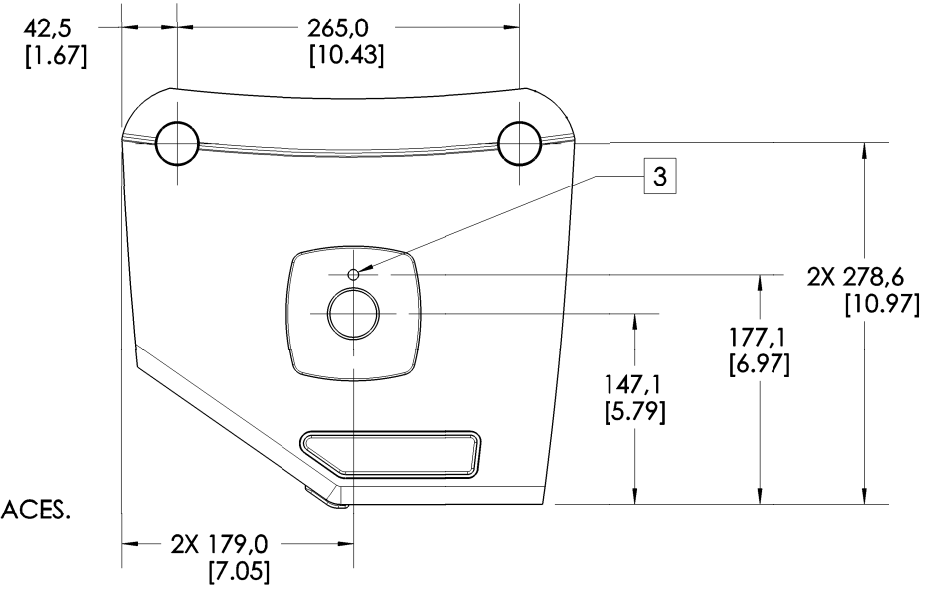
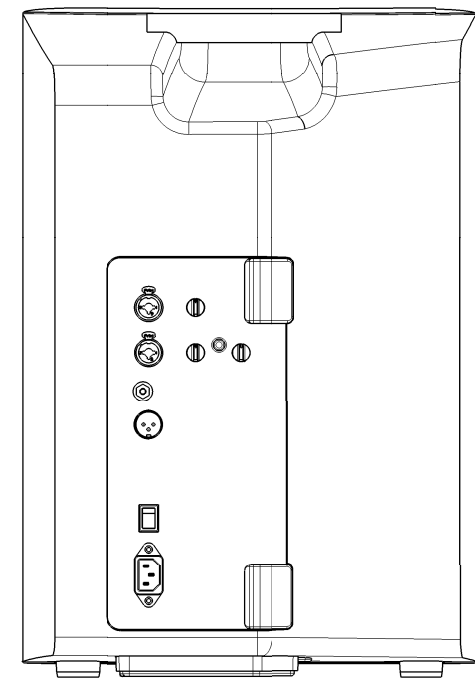
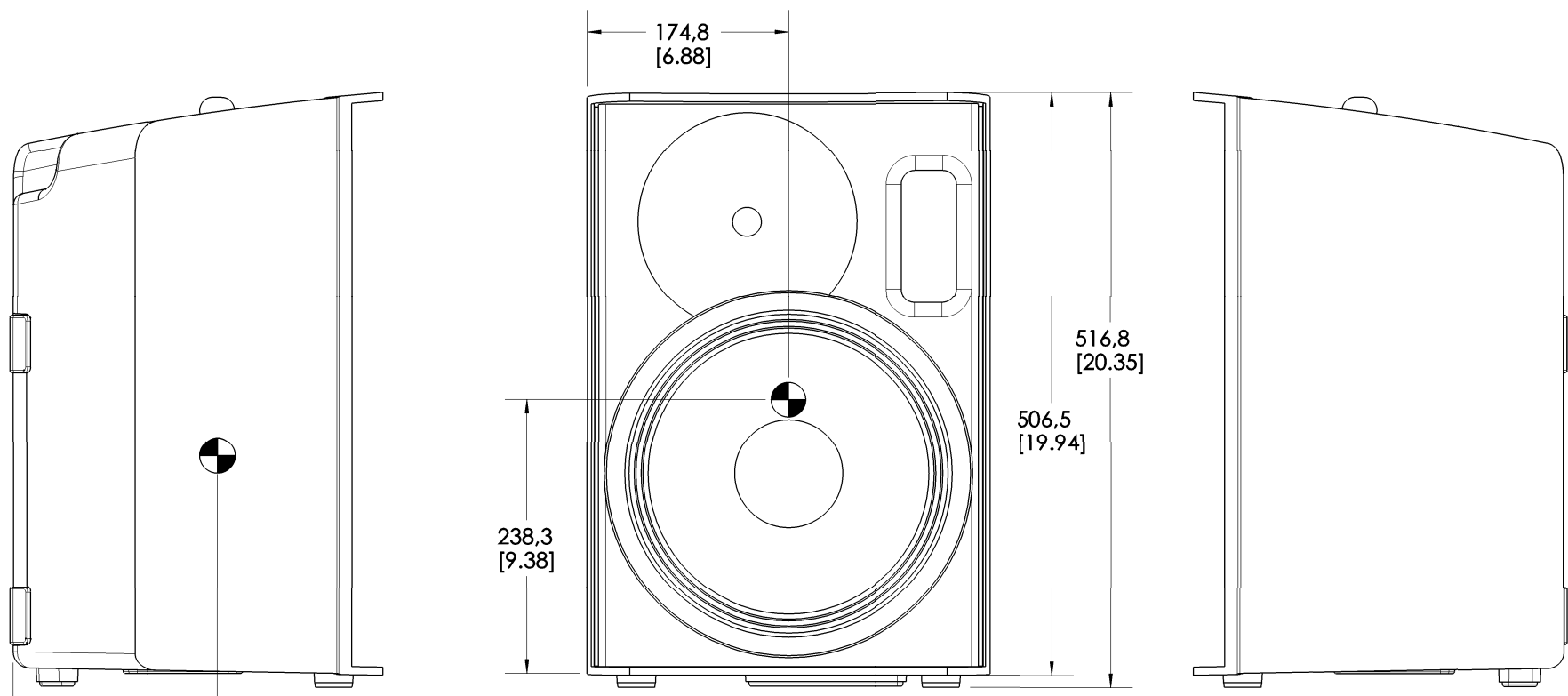
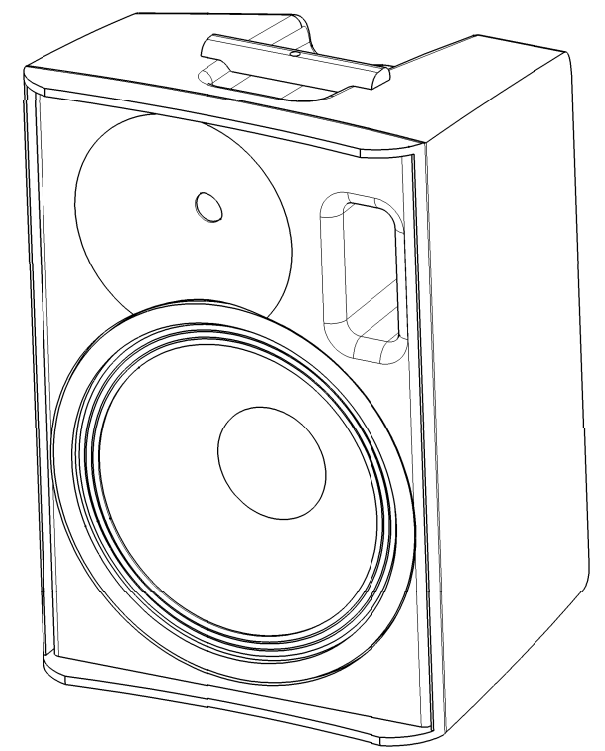
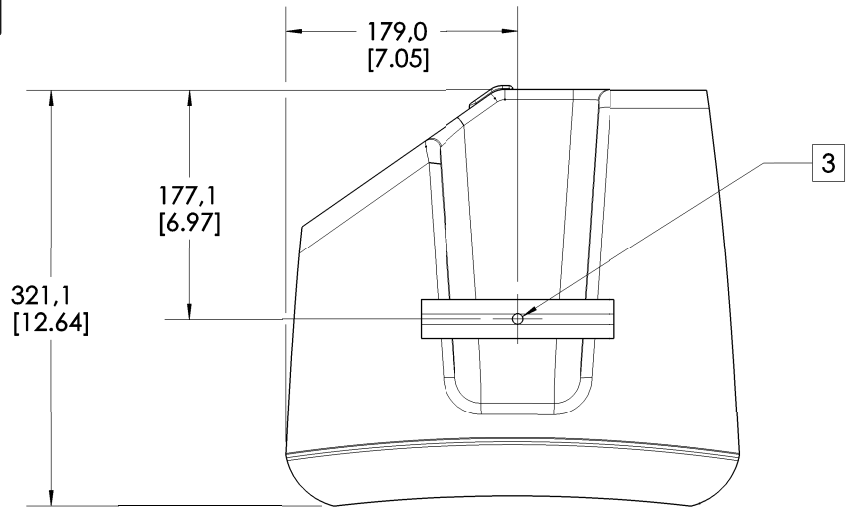


THIS DOCUMENT CONTAINS PROPRIETARY INFORMATION WHICH IS THE PROPERTY OF QSC, LLC. THAT MAY NOT BE DISCLOSED, REPRODUCED OR USED WITHOUT THE EXPRESS WRITTEN CONSENT FROM QSC, LLC.

REVISION		BY	DATE
REV	DESCRIPTION	SS	26-SEPT-18
A	INITIAL RELEASE		



- 6. GRILLE NOT SHOWN FOR CLARITY.
- 5. DIMENSIONS ARE IN MILLIMETERS [INCH].
- 4. SYMBOL INDICATES CENTER OF BALANCE.
- 3. YOKE MOUNT ATTACHMENT POINT, M8 THREAD, 2 PLACES.
- 2. TOLERANCES (MM): $X \pm 3$, ANGLES: $\pm 1^\circ$.
- 1. NET WEIGHT APPROX. 30.3 LBS [13.7 KG].

NOTES: UNLESS OTHERWISE SPECIFIED

UNLESS OTHERWISE SPECIFIED DIMENSIONS ARE IN MM [IN]		CAD GENERATED DRAWING DO NOT MANUALLY UPDATE		QSC, LLC 1675 MACARTHUR BOULEVARD COSTA MESA, CA 92626 USA	
TOLERANCES ARE:		APPROVALS		FINISHED GOOD, LOUDSPEAKER, CP12, 100-240V, BK, 12" 2-WAY	
DECIMALS	ANGLES	DRAWN BY			
$.X \pm 3$ [.12]	$\pm 1^\circ$	S. STASIAK			
MATERIAL		MECH ENGINEER			
FINISH		T. AMUNSDON		SIZE CAGE CODE DWG. NO. REV B 00PW4 FG-901168-2D A	
DO NOT SCALE DRAWING		TECH DIRECTOR		SCALE: 1:6 CAD FILE: FG-901168-2D.A.2 SHEET: 1 OF 1	
PROJECTION SYMBOL		R. VAUCHER			
		MFG ENGINEER			
		C. YOMOVIDA			