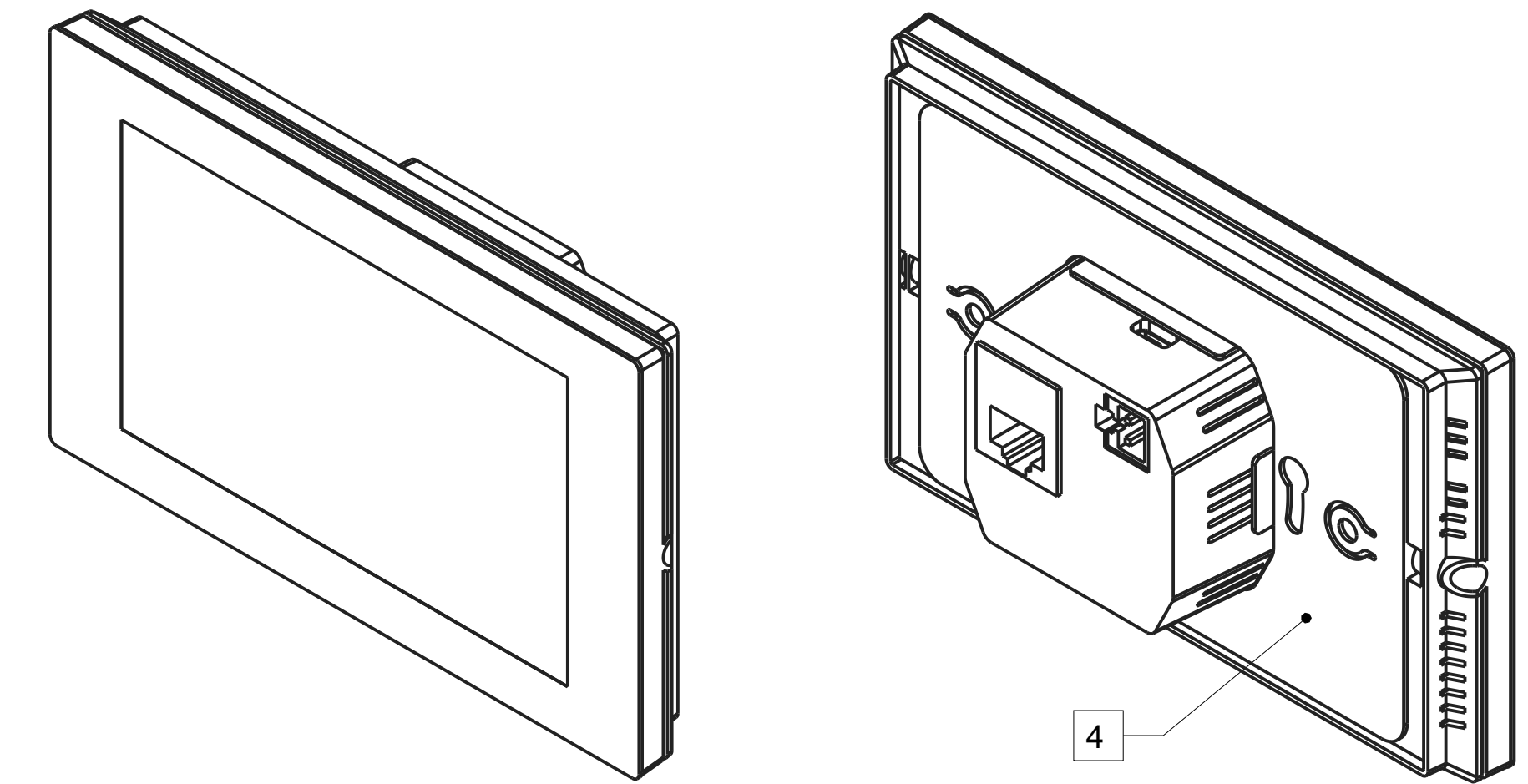
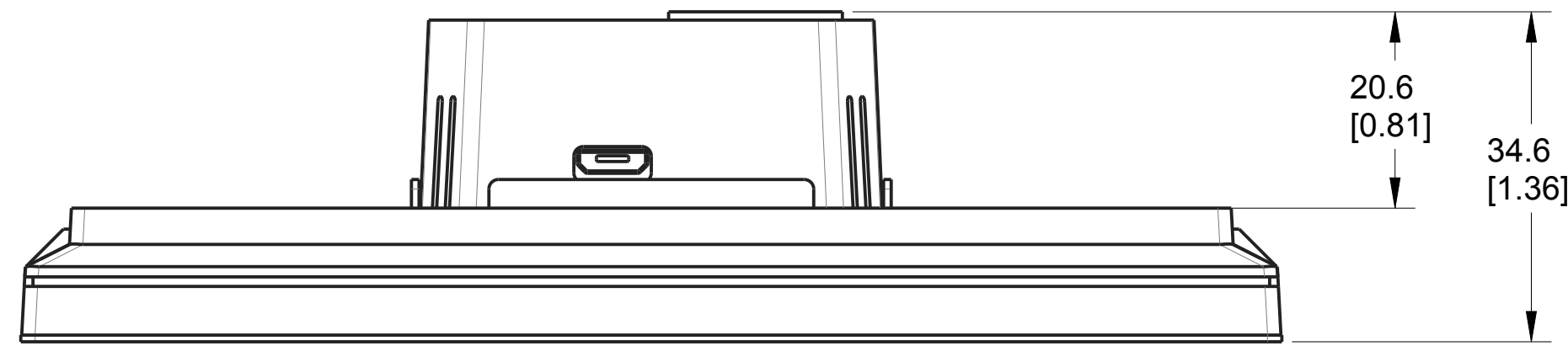


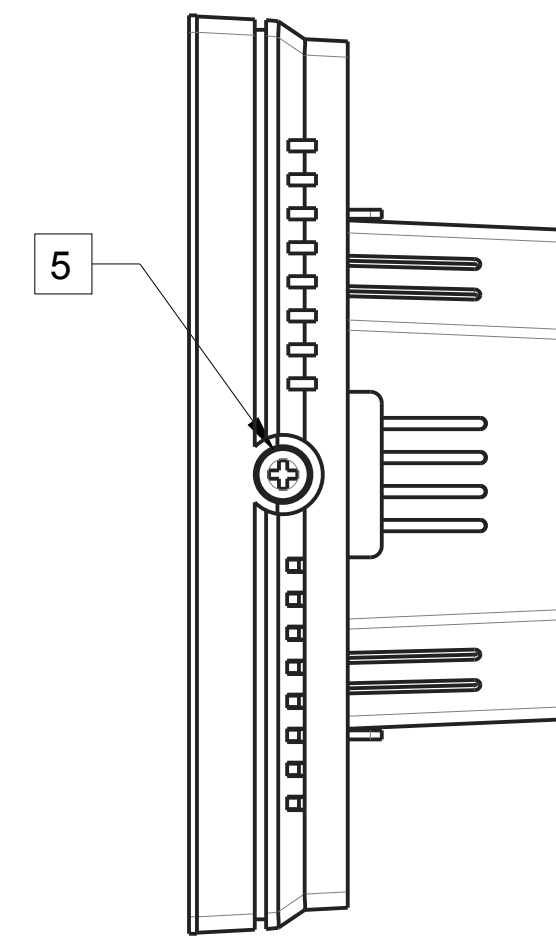
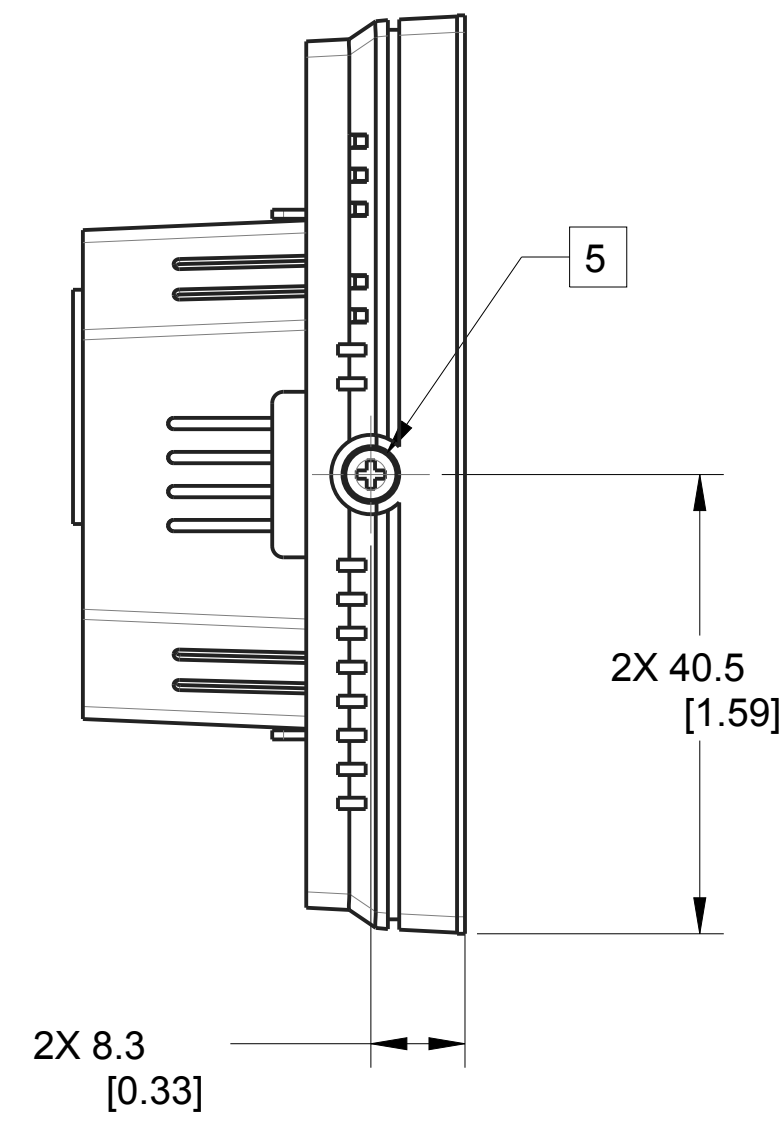
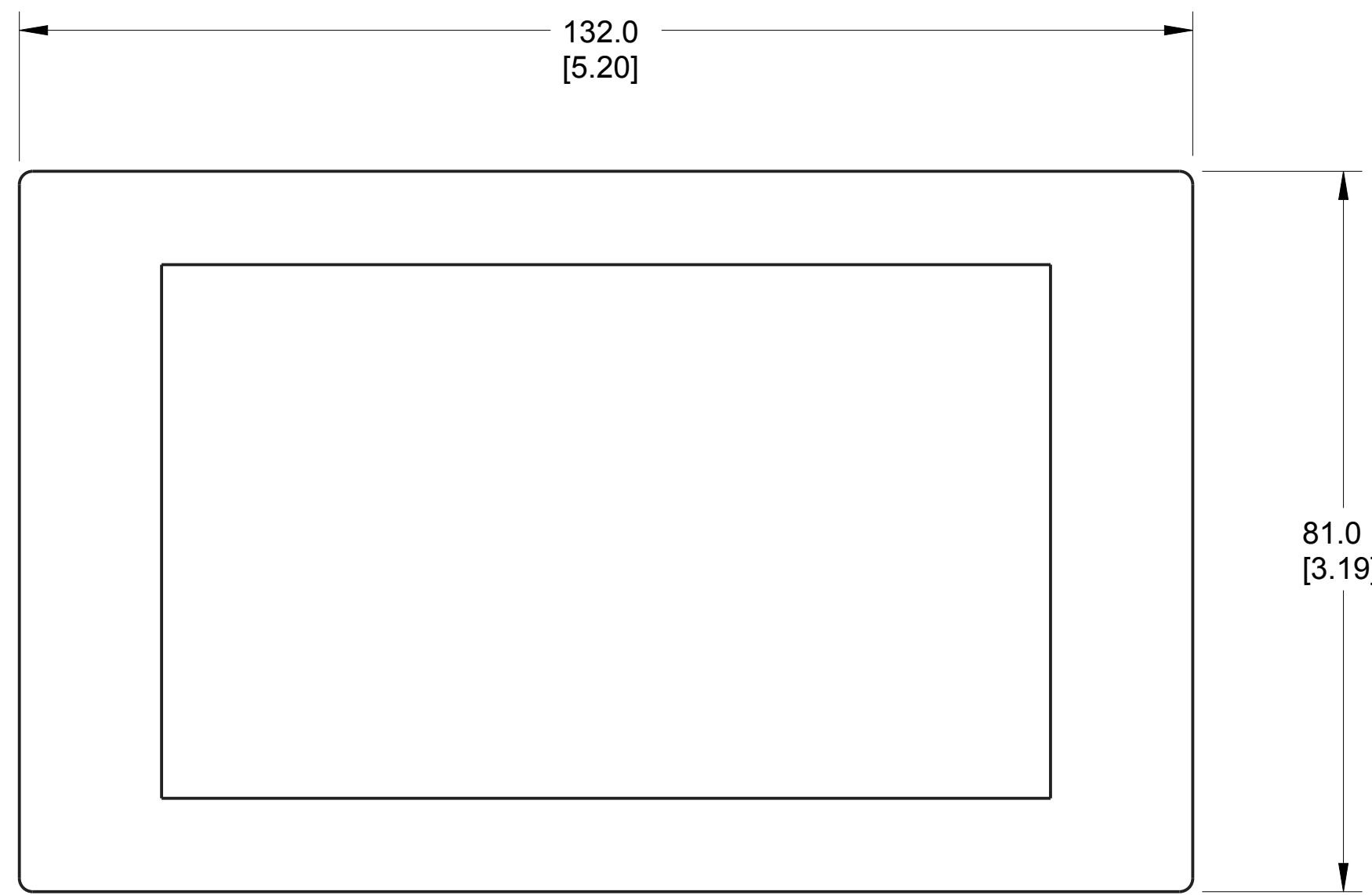
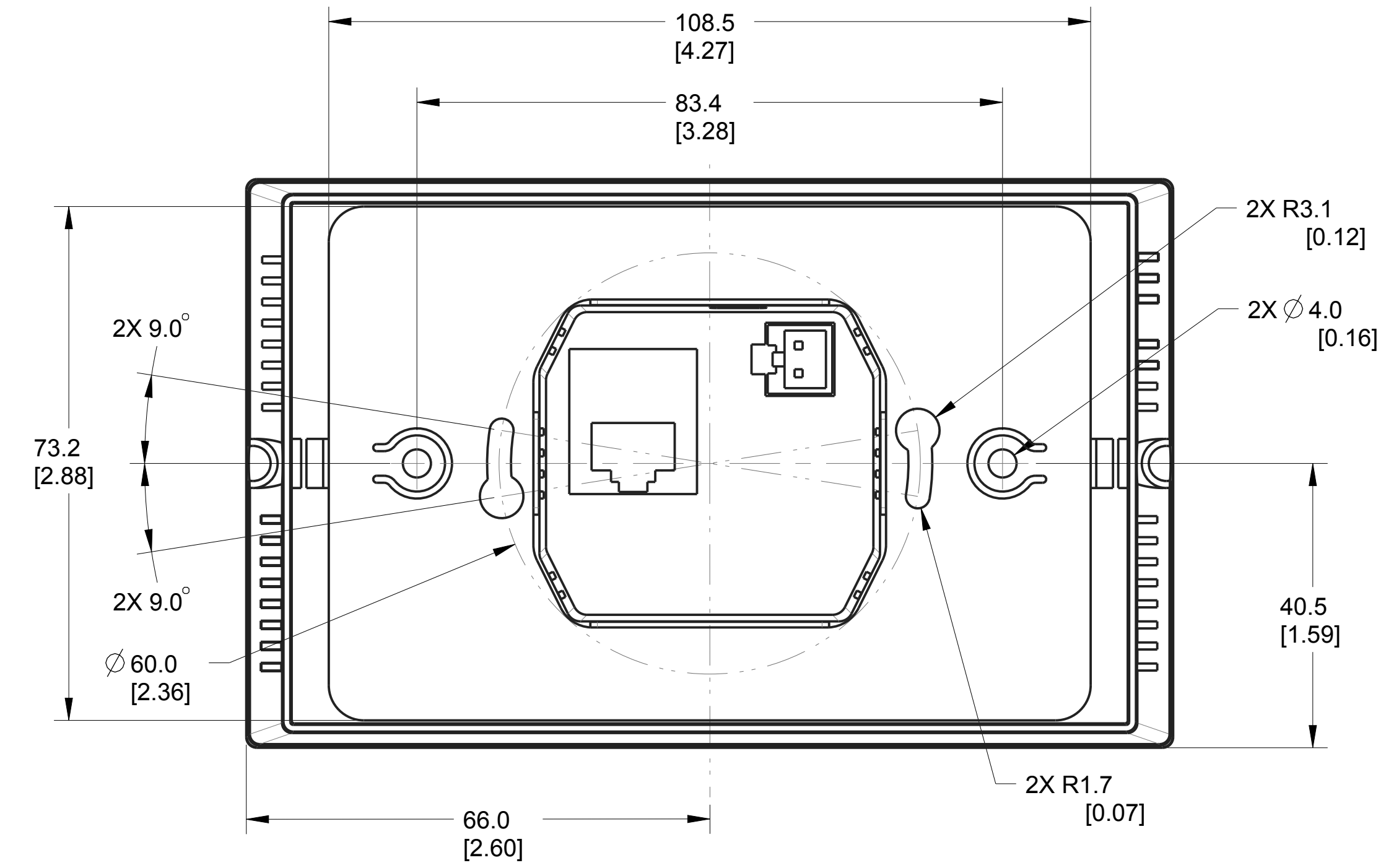
THIS DOCUMENT CONTAINS PROPRIETARY INFORMATION WHICH IS THE PROPERTY OF QSC, LLC. THAT MAY NOT BE DISCLOSED, REPRODUCED OR USED WITHOUT EXPRESS WRITTEN CONSENT FROM QSC, LLC.

REVISIONS			
REV	DESCRIPTION	BY	DATE
A	RELEASE FOR SALES AND MARKETING	ES	27-JAN-17



FRONT VIEW
SCALE 1.000

REAR VIEW
SCALE 1.000



- 5 INSTALL SIDE SCREWS TO SECURE TOUCH PANEL TO MOUNTING FLANGE, 2 PLACES.
- 4 INSTALL MOUNTING FLANGE TO ELECTRICAL BOX FIRST, THEN ATTACH TOUCH PANEL TO MOUNTING FLANGE.
- 3. DIMENSIONS ARE IN MILLIMETERS [INCH].
- 2. TOLERANCES (MM): X ± 3, ANGLES: ± 1°.
- 1. NET WEIGHT APPROX. 0.4 LBS [0.18 KG].

NOTES: UNLESS OTHERWISE SPECIFIED

UNLESS OTHERWISE SPECIFIED DIMENSIONS IN MILLIMETERS [IN] TOLERANCES ARE: DECIMALS DECIMALS ANGLES X± .5[0.2] X±.25[0.1] ± 1/2 DEBURR EDGES .25 [0.010] R MAX	DESIGNER ENG. SERVICES	QSC QSC, LLC 1675 MACARTHUR BOULEVARD COSTA MESA, CA 92626	DIGITAL, TSC-47W-G2-BK, Q-SYS 4.7"IN-WALL TOUCH PANEL, FINISHED	REV A			
	ENGINEER						
	TECHNICAL DIRECTOR D. HOCH	SIZE D	CAGE CODE 00PW4	DRAWING NO. FG-117020-2D	SCALE 1.500	DO NOT SCALE DRAWING	SHEET 1 OF 1
	MATERIAL	MANUFACTURING ENGINEER T.MORGAN	DRAWING INFO: FG-117020-2D.A.1	MODEL INFO: FG-117020-3D.A.1			